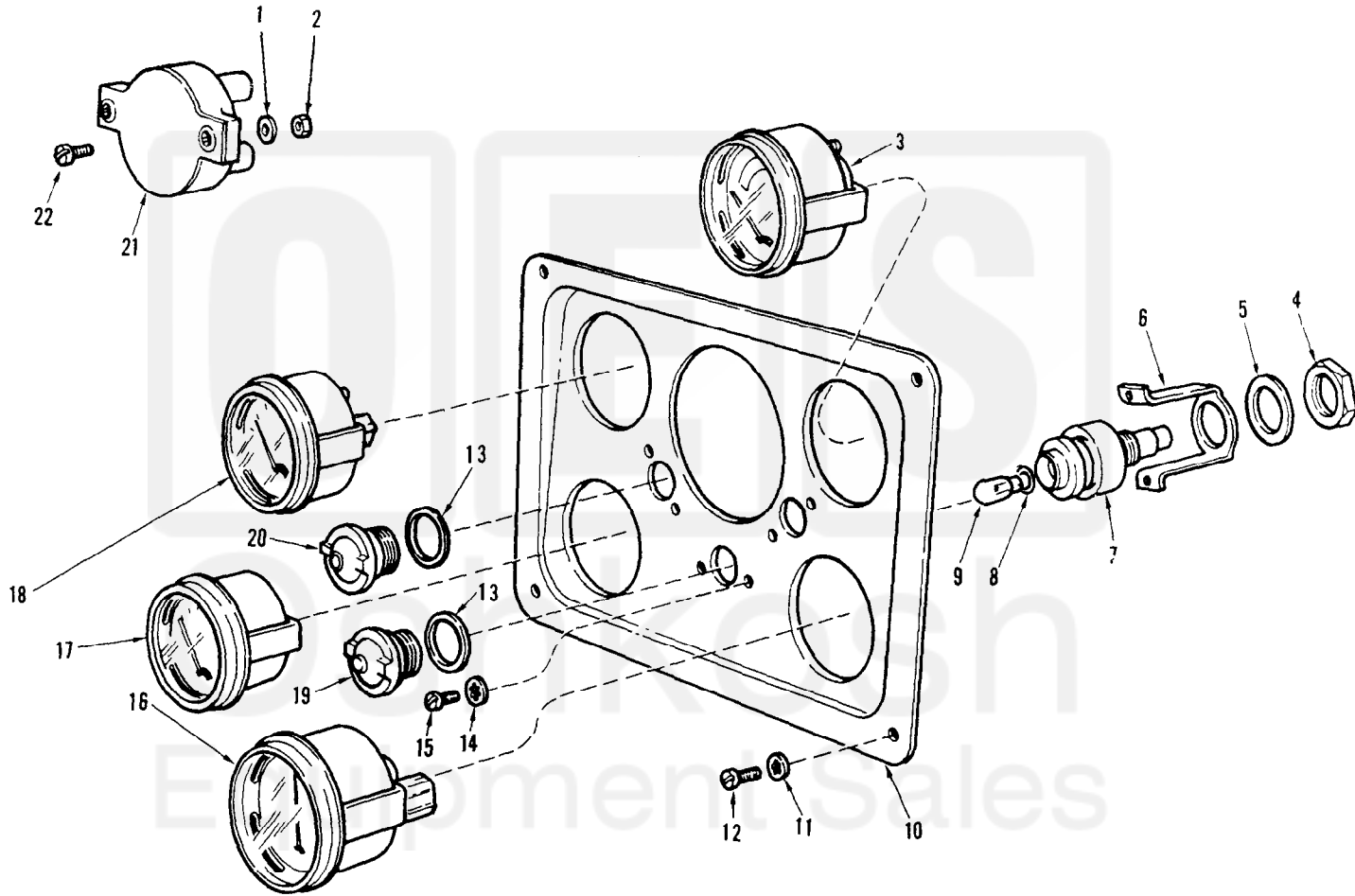


(1) SMR Code	(2) Federal Stock Number	(3) Description  Reference number & mfr Code	(4) Unit Of Meas.	(5) Qty Inc In Unit	(6) 15-day organizational Maintenance alw				(7) Illustration		
					(a) 1-5	(b) 6-20	(c) 21-50	(d) 51-100	(a) Figure No.	(b) Item No.	
GROUP 0605, FIG. 6-6—Continued											
C	PAOZZ	5360-168-7164	SPRING: weight, 7059537 (19207)	EA	1	*	*	*	*	6-6	26
C	XBOZZ		SCREW ASSEMBLED WASHER: condenser mounting, 455209 (21450)	EA	1	*	*	*	*	6-6	27
C	PAOZZ	5305-297-3278	SCREW ASSEMBLED WASHER: No. 8-32 UNC-2A x 1 in. lg. distributor cap mounting, 455219 (21450)	EA	3	*	*	*	*	6-6	28
C	PAOZZ	5310-282-8866	WASHER, FLAT: distributor terminal seal, 7374894 (19207)	EA	4	*	*	*	*	6-6	29
C	PAOZZ	5305-297-3273	SCREW ASSEMBLED WASHER: distributor cover mounting 594224 (21450)	EA	6	*	*	*	*	6-6	30
N	PAOZZ	2920-772-2154	CAM: distributor, IAU-1100RC (19728)	EA	1	*	*	*	*	6-6	31
N	PAOZZ	5310-530-7283	WASHER, THRUST: upper, 5307283 (19207)	EA	1	*	*	*	*	6-6	32
Page 75 GROUP 0607											
N	PAOZZ	5310-934-9757	NUT, PLAIN, HEXAGON: carb-s, cd-pltd, No. 8-32 UNC-2B, circuit breaker attaching, (6) for M151, M151A1, M151A1C and M718; (4) for M151A2, M718A1 and M825; MS35649-282 (96906)	EA	10	*	*	*	*	6-7	2
DELETE NUT, PLAIN, HEXAGON, MS35649-82, FSN 5310-012-0622											
R	PAOZZ	5310-197-4508	WASHER, indicator light, 7358625 (19207)	EA	3	*	*	*	*	6-7	5
R	PAOZZ	5340-119-3900	BRACKET: indicator light mounting, 7358623 (19207)	EA	3	*	*	*	*	6-7	6
R	PAOZZ	6685-936-2139	INDICATOR: temperature, electrical resistance, MS24543-2 (96906)	EA	1	*	*	*	*	6-7	16
R	PAOZZ	6680-933-3600	INDICATOR, LIQUID QUANTITY: fuel, MS24544-2 (96906)	EA	1	*	*	*	*	6-7	18
R	PAOZZ	6210-299-5564	LENS: indicator light, 7358622 (19207)	EA	1	*	*	*	*	6-7	19
R	PAOZZ	6210-337-7345	LENS: instrument panel lights, 7358621 (19207)	EA	2	*	*	*	*	6-7	20
R	PAOZZ	2590-307-8856	SWITCH ASSEMBLY, LIGHT: MS51113-1 (96906)	EA	1	*	*	*	*	6-8	1
N	PAOZZ	5305-614-3423	SCREW, MACHINE: drilled fillister head, slotted, carb-s, cd-pltd, No. 8-32 UNC-2A x 3/8 in. lg. ignition switch lever, MS35265-43 (96906)	EA	1	*	*	*	*	6-9	2
Deleted FSN 5305-058-7639, SCREW, MACHINE (MS35267-43)											
N	PAOZZ	2920-179-4524	PLATE, IGNITION SWITCH 8754667 (19207)	EA	1	*	*	*	*	6-9	6
C	PAOZZ	2510-229-5730	COVER: headlight dimmer switch, 7345210 (19207)	EA	1	*	*	*	*	6-10	4
Page 83 GROUP 0608											
R	PAOZZ	5940-399-6676	6—TERMINAL: turn signal, 8338564 (19207)	A	EA	6	*	*	*	6-11	1.1
R	PAOZZ	5970-833-8562	6—SLEEVE: turn signal 8338562 (19207)	A	EA	6	*	*	*	6-11	1.2
C	PAOZZ	5305-042-3545	2—SCREW ASSEMBLED WASHER: turn signal, 423545 (24617)	A	EA	2	*	*	*	6-11	1.7
Page 85 GROUP 0609											
R	PAOZZ	5365-832-5650	RING RETAINING: headlight lamp, 8741446 (19207)	EA	2	*	*	*	*	6-12	2
R	PAOZZ	6240-431-8341	LAMP INCANDESCENT: headlight, sealed beam, 8741491 (19207)	EA	2	*	*	*	*	6-12	3
R	PAOZZ	5935-572-9180	SHELL, SHIELD: headlight, 8338566 (19207)	EA	6	*	*	*	*	6-12	17
R	PAOZZ	5360-526-5530	SPRING: lamp adjusting, 8741443 (19207)	EA	2	*	*	*	*	6-12	19
R	PAOZZ	6220-693-4175	SPRING: lamp unit retaining, 7320711 (19207)	EA	3	*	*	*	*	6-13	4

Current part is item (5) on diagram. Available at [www.oshkoshequipment.com](http://www.oshkoshequipment.com)

76



AT 39893

Figure 6-7. Instrument panel and related parts.

Current part is item (5) on diagram. Available at [www.oshkoshequipment.com](http://www.oshkoshequipment.com)